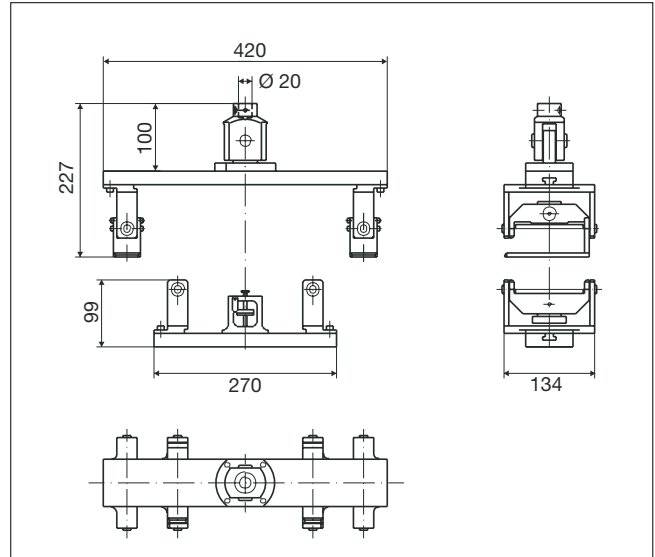
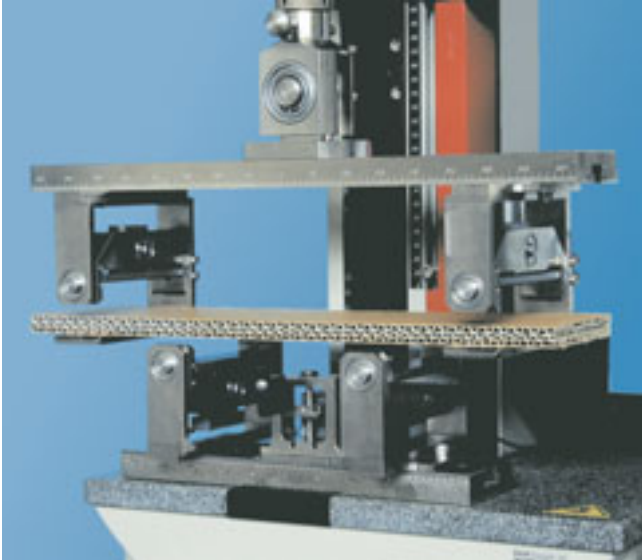


## Product Information

### 4-Point flexure test kit for tests on corrugated board



#### Range of application

For tests on single and multi-layer corrugated board, heavy duty corrugated board, strong solid board, or corrugated board with fibre reinforcement to DIN 53121, ISO 5628 and based on Tappi 820 and Tappi 836. Also suitable for tests on structured materials such as honeycomb constructions.

#### Advantages of the 4-Point flexure test kit

- Specially designed supports for corrugated board tests: corrugated board curvature doesn't have any influence on the measurement
- Overall specimen lengths of >200 mm to approx. 400 mm can be inserted easily and exactly due to the insertion markings
- Minimum operating steps during the test ensure simple and safe handling
- *testXpert*<sup>®</sup> deals with visualisation of the force-travel curve during the entire test sequence. Thus initial non-linearities can be detected and then corrected in the results.

## Product Information

### 4-Point flexure test kit for tests on corrugated board

| Order item   | TC-TO4FLEX.001 / 070290.00.00<br>Value | Units |
|--|--|-------|
| Support hinge upper 1x tiltable and 1x cardanic; support hinge lower 2x cardanic |  |       |
| Max. test load   | 2.5                                    | kN    |
| Table height, upper/lower  | 20                                     | mm    |
| Table length, lower  | 270                                    | mm    |
| Table length, upper  | 420                                    | mm    |
| Support height, lower/upper  | 65                                     | mm    |
| Support separation, upper (support range)  | 31 ... 390                             | mm    |
| Support separation, lower (flexure length)                                       | 90 ...240                              | mm    |
| Support width  | 100                                    | mm    |
| Support depth  | 30 mm with radius = 3 mm both sides    |       |
| Support weight, upper  | 0.125                                  | kg    |
| Support weight, lower  | 0.2                                    | kg    |
| Weight of lower table + supports + measurement device                            | 2.3                                    | kg    |
| Weight of upper table + supports   | 4.2                                    | kg    |
| Weight, standard connecting flange   | 0.75                                   | kg    |
| Measurement device's measurement path  | 12                                     | mm    |
| Resolution device's measurement path   | 0.1                                    | µm    |
| Measurement force at flexure of 10 mm  | < 0.07                                 | kg    |
| Measurement force at flexure of 0 mm   | < 0.19                                 | kg    |
| Distance of the meas. point to the lower support line*                           | 2                                      | mm    |
| Measurement device height  | 55                                     | mm    |
| Measurement point radius/diameter (convex)                                       | 25 / 12                                | mm    |

\* Factory setting