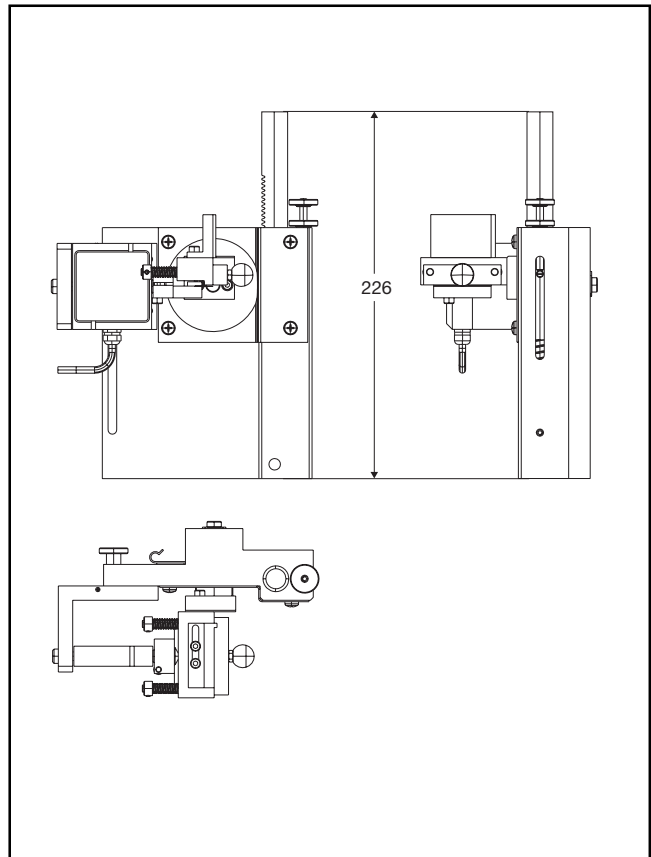


### Product information



### Range of application

For determining the flexural strength to the beam method on fine paper (e.g. to ISO 2493 in connection with ISO 5628 or to DIN 53121) and plastic films (e.g. to DIN 53350).

### Advantages of the 2-point flexure test kit

- A constant clamping force ensures a contact pressure in the clamping area which is always constant and permissible
- Can be used for foils (dependent upon the film stiffness) from approx. 20  $\mu\text{m}$  to 200  $\mu\text{m}$
- Can be used for paper (dependent upon the stiffness) from approx. 40  $\text{g}/\text{m}^2$  up to approx. 200  $\text{g}/\text{m}^2$
- Flexure lengths of 1,2 and 5 mm can be set easily and exactly
- Flexure angle can be adjusted either to test standard or freely selectable up to maximum 90°
- Extremely high angle resolution

**Technical data**

<b>Order no.</b>	<b>070289.05.00</b>		
	<b>Value</b>	<b>Units</b>	
Max. test load	50	N	
Specimen thickness	film:	20 - 200	µm
	paper:	40 - 200	g/mm <sup>2</sup>
Specimen width	15 / 40	mm	
Flexure length	1 ... 100	mm	
Initial setting	1,2 and 5	mm	
Flexure angle	max. 90	°C	
Lower connection to mounting stud, dia.	20	mm	
Total height	262	mm	